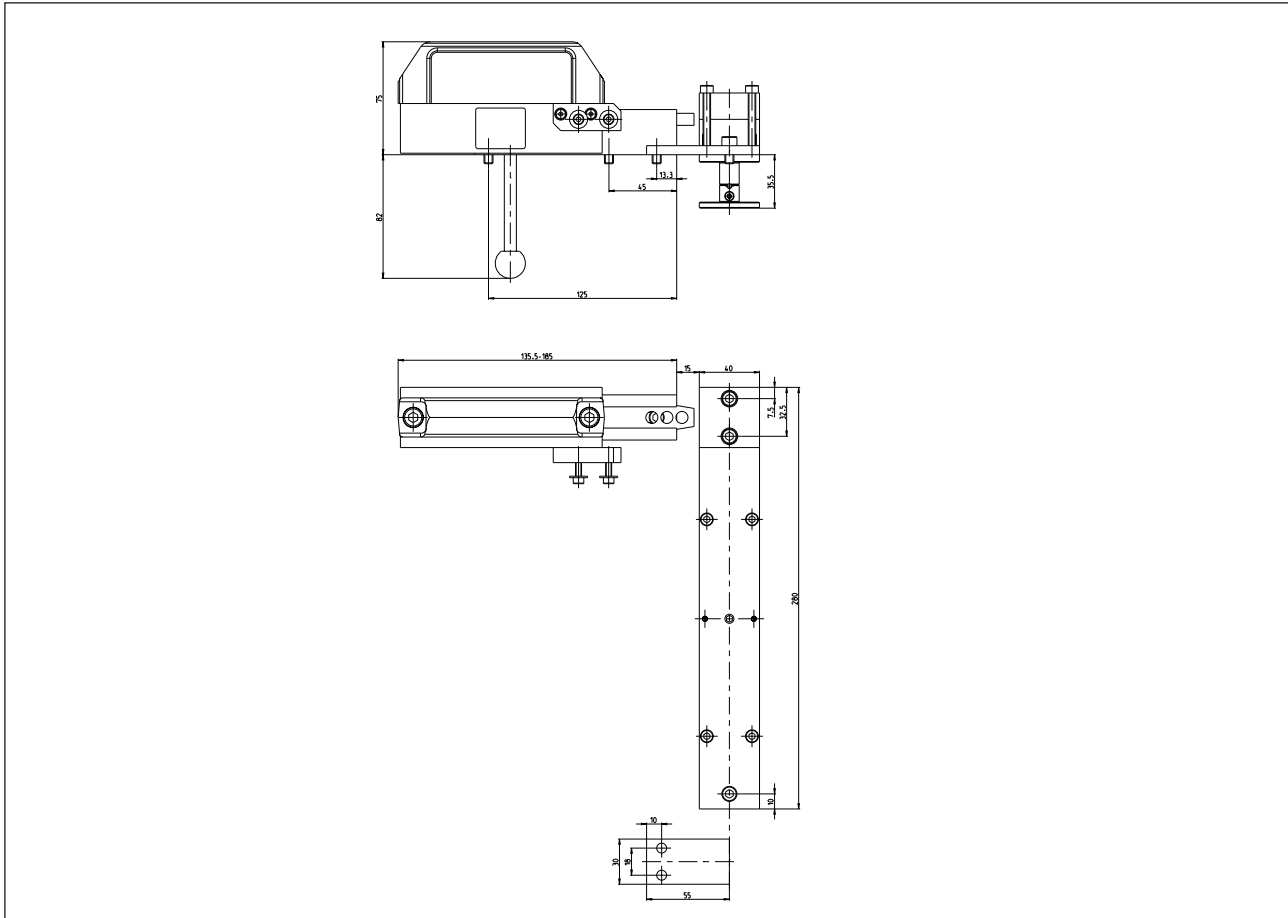


Bolt for safety equipment
Series BF

Description **BF1-SLC-ESCR**

Article number **6051201008**



Mechanical data

Base plate / carrier sections	Aluminium
U-handle	PA, black
Bolt	Steel
Déverrouillage de secours	Interrupteurs: Aluminium Loquet: Acier avec poignée en plastique
Mechanical life	1 x 10 ⁶ cycles
Assembly	Door: 3 x M6 Frame: 3 x M6
Weight	≈ 0,90 kg
Installation position	Attached right / left

Standards

Together with a safety switch, the latch serves as a mechanical locking device conforming to DIN EN ISO 12100 and DIN EN ISO 14119.

Notes

A SLC - safety switch can be purchased to match the BF1-SLC ES.
The mounting material is enclosed with the BF1-SLC ES.